

Valve spring retainer

Durable retainers for high performance engines



Nedschroef, a global leader for metal forming equipment, offers a tailor-made solution for alignment and pre-tension of the engine valve. This is based on more than ten years of experience in cold forging and sampling of valve spring retainers. Our robust manufacturing design and measurement methods ensures the spring is solidly joined to the valve which is kept securely in place. Lean manufacturing guarantees a waste-free process with maximum added value for clients.

Field of application

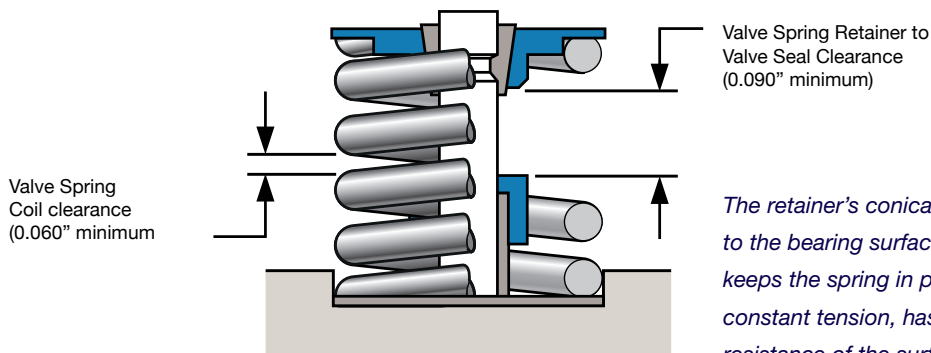
The perfect solution for valve retention in a wide variety of engine applications. The product family consists of half a dozen options for use in cars and trucks. Besides a broad selection of standard solutions, Nedschroef offers the integrated production, design and systems engineering capacity required to create bespoke solutions for even the most specific, demanding requirements at an attractive price point. Our engineers are ready to work together with you to create the ideal solution for your own application...

For more information: www.nedschroef.com

 **NEDSCHROEF**

one step ahead...

Solid but flexible join ensures safety



The retainer's conical inner shape is accurately positioned to the bearing surface for the valve spring. The retainer keeps the spring in place. This component, which is under constant tension, has been heat treated, to prevent wear resistance of the surface, the fatigue strength is improved as well as the toughness of the material.

Dimensions

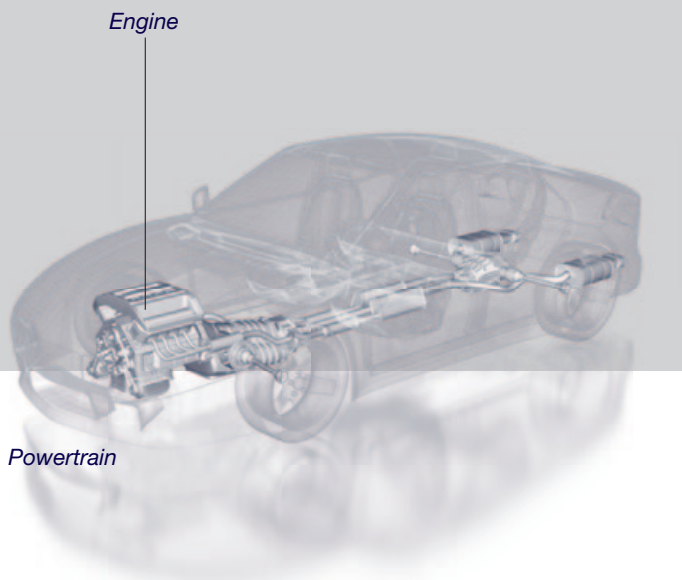
- For truck and car currently max outside Ø: ±36mm
- Maximum producible dimension: Ø50 mm.

Properties

- Durable alignment and pre-tension of engine valve
- For use in cars and trucks
- Wide range available
- Based on ten years sampling and cold-forging experience

Advantages

- Extremely secure
- Long-term reliability
- Ease of use
- Maximum added value for clients
- Waste-free process



Powertrain

Koninklijke Nedschroef Holding
Kanaaldijk N.W. 75
P.O. Box 548
5700 AM Helmond
The Netherlands
T +31 492 588 556
F +31 492 548 084
E holding@nedschroef.com

Follow us:



For over a century, Koninklijke Nedschroef Holding B.V. has developed, manufactured and supplied fasteners and special parts for the automotive industry. In addition, we design and produce superior forming machines and tools for the metal forming industry. Nedschroef delivers world-class services and innovative, cost-effective solutions. Our expanding global operations offer everything from product design and development to delivery, installation and service, supported by a vast global partner network. 1,600 people at 24 facilities, including six centres of competence, in 14 countries worldwide are committed to our Full Service Provision concept.